



AS-1 Logo Screens

Installation Instructions

Caution: Installation by a qualified contractor or service technician is recommended.

Tools Required:

Phillips Screwdriver
Socket Wrench and Sockets
Concrete Drill
5/16" Diameter Concrete Drill Bit
1/2" Diameter Standard Drill Bit
Hammer
Stud Finder

Hardware List:

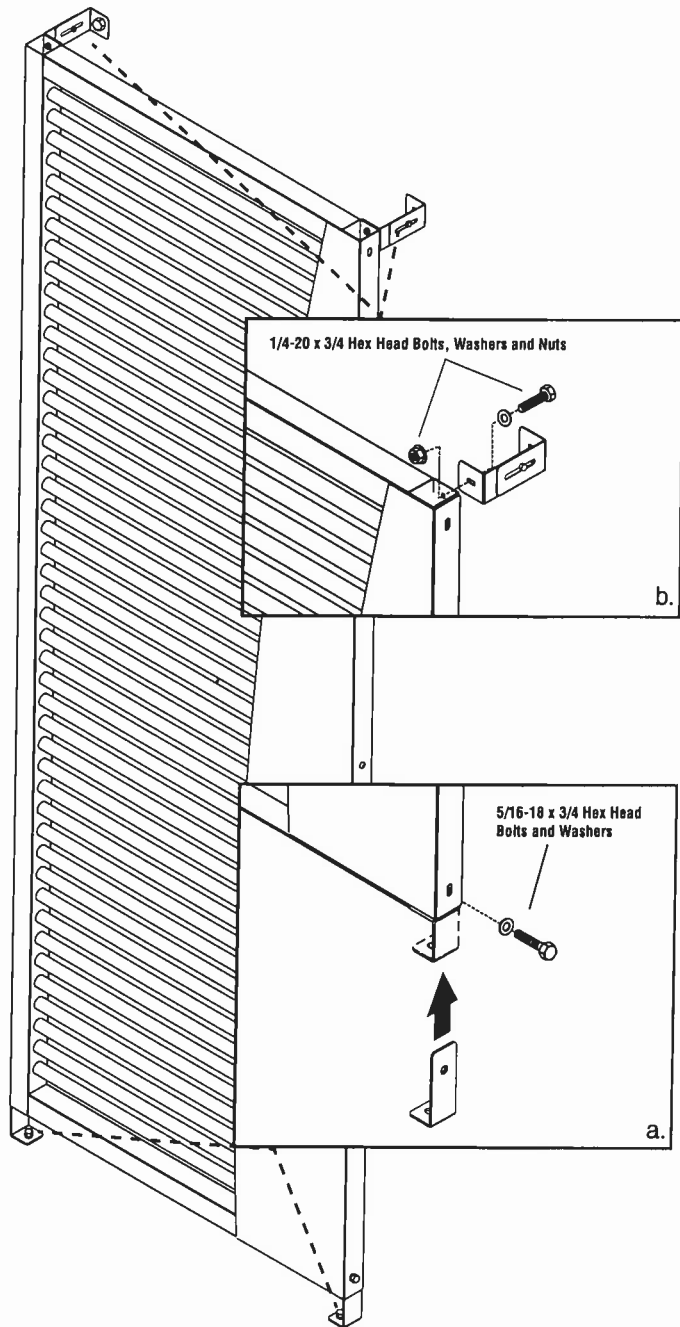
- (2) 5/16 x 2-1/2 Power-Bolt® Floor Anchors
- (2) 1/4-20 Strap Toggle Wall Anchors
- (4) 1/4-20 Serrated Flange Nuts
- (4) 1/4 Flat Washers
- (2) 1/4-20 x 1-1/4 Hex Head Bolts
- (2) 1/4-20 x 3/4 Hex Head Bolts
- (4) 5/16-18 x 3/4 Hex Head Bolts
- (4) 5/16 Flat Washers
- (1) #10 x 1/2 Phillips Truss-Head Screw

Note: Extra hardware pieces have been included. Both black and silver hardware have been provided as needed. Use black hardware on black surfaces and silver hardware on silver surfaces where applicable.

Instructions:

1. Wall anchors provided are for a hollow wall. Floor anchors provided are for a concrete floor. If mounting surfaces differ from these, obtain appropriate fasteners for the specific application.
2. Attach floor brackets to the bottom of the ladder assembly with 5/16-18 x 3/4 hex head bolts and washers. (See illustration 1a.)
3. Attach adjustable wall brackets to ladder assembly with 1/4-20 x 3/4 hex head bolts, washers and nuts. (See illustration 1b.)

1



If you have any questions, please call
DCI Marketing at 1-800-252-8825.



DESIGNED AND PRODUCED BY DCI MARKETING, MILWAUKEE, WISCONSIN

an IMI merchandising business

MAKING SOLUTIONS HAPPEN™

www.dci-marketing.com

Page 2 of 4

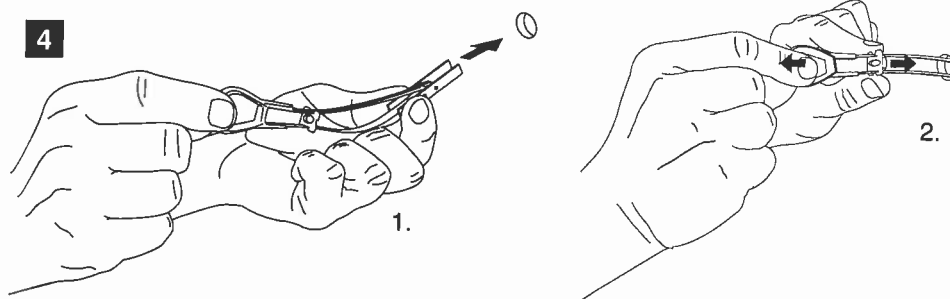
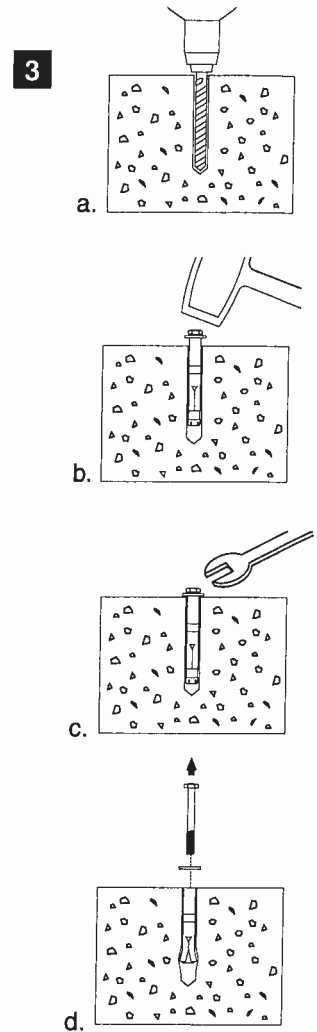
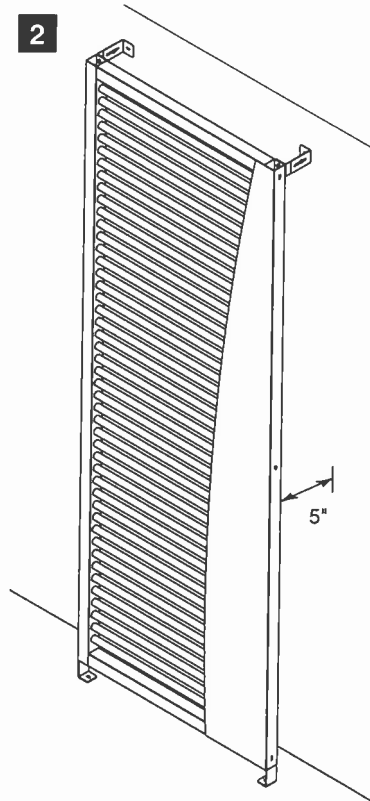
3/11 #2404



AS-1 Logo Screens

Installation Instructions

4. Stand unit up against the wall. Position the ladder assembly 5" away from the wall. (See illustration 2.)
5. Use holes in wall brackets to mark hole locations on wall. Use a stud finder to check for wall studs. Move unit left or right to avoid wall studs if using toggle anchors supplied.
6. Use holes in floor brackets to mark hole locations on floor. Holes in floor should be approximately 6" from the wall.
7. After marking holes in floor and wall, move the unit aside to reveal marked holes.
8. Drill two 5/16" diameter holes in the concrete floor, deep enough to accept the length of the Power-Bolt® anchors. (See illustration 3a.)
9. Hammer the Power-Bolt floor anchors into the holes and tighten hex head bolts to seat the anchors into the concrete. Remove bolts and washers and set aside for use later. (See illustrations 3b, 3c and 3d.)
10. Drill two 1/2" diameter holes in the drywall.
11. Insert strap toggle assemblies into drywall holes. (See illustration 4.)
12. Push retaining ring while pulling on straps to secure toggle assembly. Break off straps after anchor is seated. (See illustration 4.)



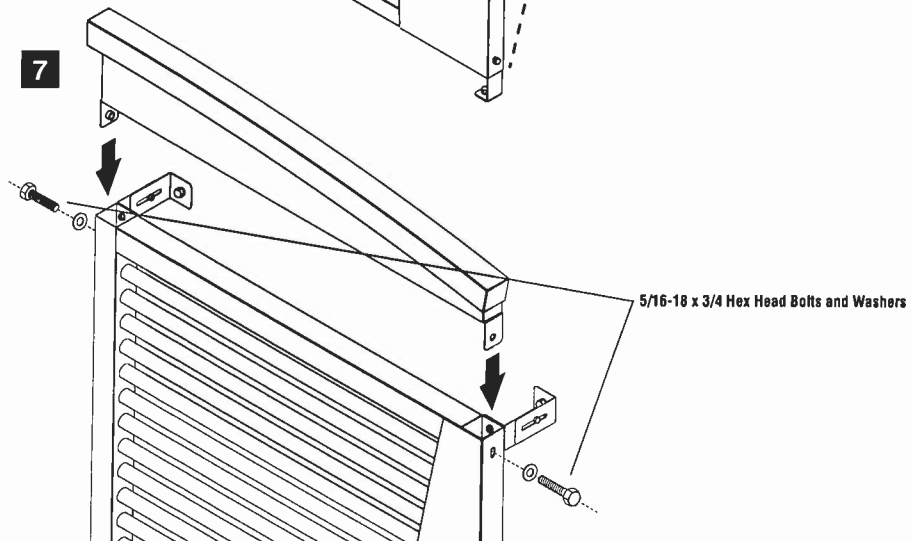
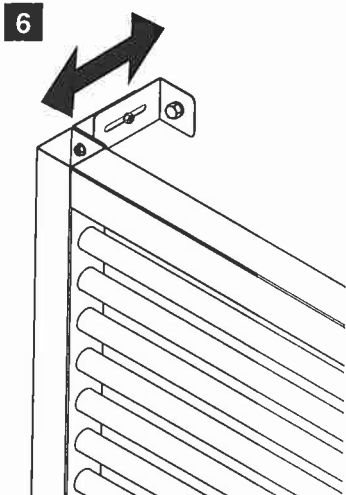
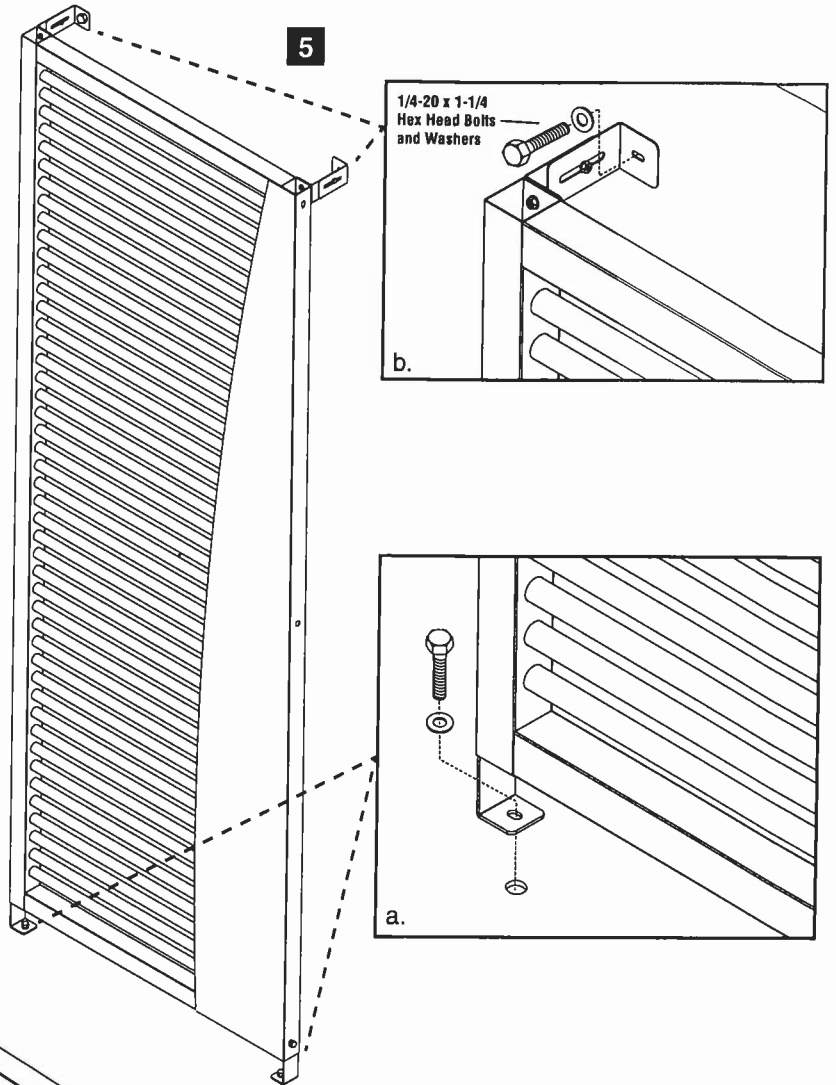
If you have any questions, please call DCI Marketing at 1-800-252-8825.



AS-1 Logo Screens

Installation Instructions

13. Place ladder assembly over anchor holes in concrete and reattach with bolts and washers from anchors set aside in step 9. (See illustration 5a.)
14. Attach wall brackets to drywall anchors with 1/4-20 x 1-1/4 hex head bolts and washers. (See illustration 5b.)
15. Adjust the two-piece wall brackets so unit is parallel with wall. (See illustration 6.)
16. Once the unit is parallel to the wall, tighten all fasteners.
17. Place urethane header assembly on top of unit and secure with 5/16-18 x 3/4 hex head bolts and washers. (See illustration 7.)
18. Hang logos from ladder rods with pre-attached brackets on back of logos.



If you have any questions, please call DCI Marketing at 1-800-252-8825.